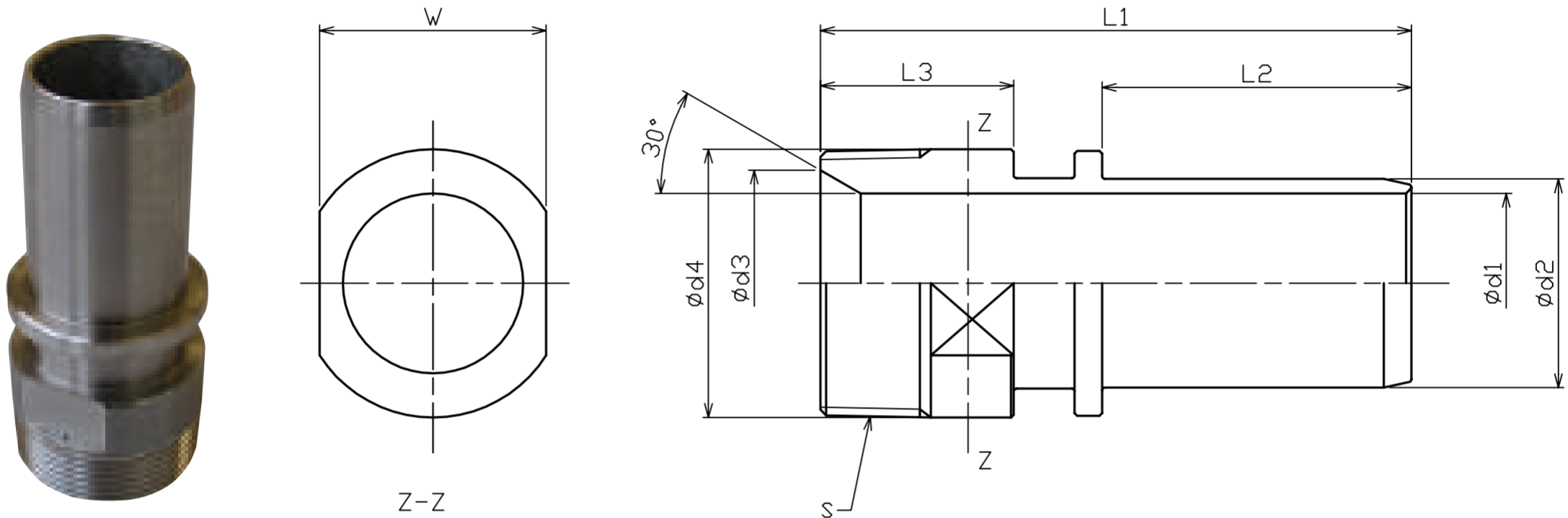


# M1 nipple for SHIME-TOTAKU

Material / วัสดุ | SS, SUS



(mm)

Nominal diameter	S	d1	d2	d3	d4	L1	L2	L3	W
38	R1½	32.6 (34.4)	37.8	41.0	48.6	107.0	55	34	41.0
50	R2	43.5	50.5	52.5	60.4	120.0	62	41	54.0
65	R2½	56.3 (57.3)	63.0	68.0	76.3	132.0	72		69.0
75	R3	69.1 (66.9)	76.0	80.5	89.1	149.0	83	46	79.0
100	R4	96.0 (94.0)	101.0	106.0	115.0	171.0	98	51	106.3

※ The value of ( ) is SUS. / ค่าใน ( ) คือ SUS