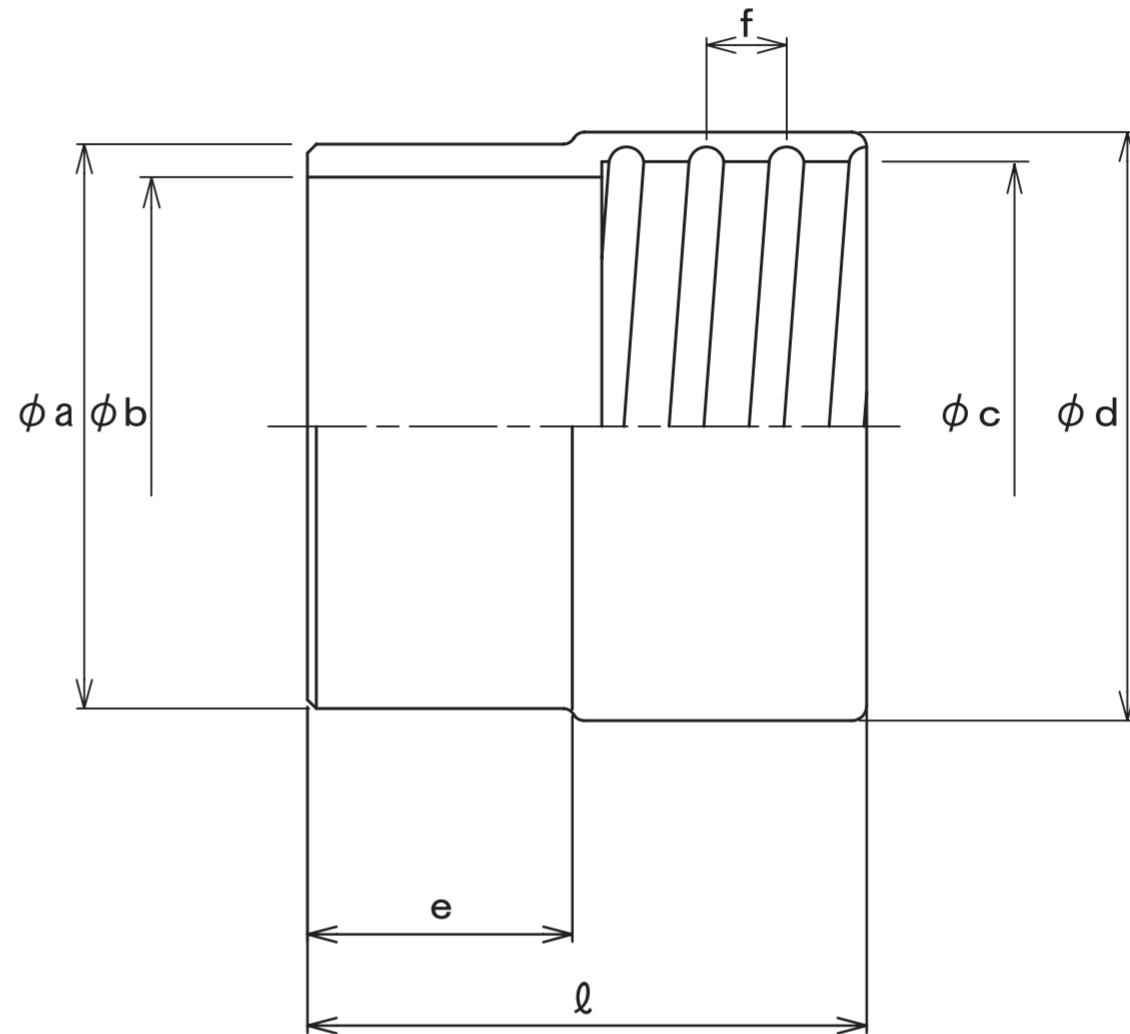


Cuffs for TOTAKU ELASTIC DUCT

Material / วัสดุ

EPDM (Light Gray), EPDM (Black), ($\varnothing 300$ only) /
 ยาง EPDM (สีเทาอ่อน), ยาง EPDM (สีดำ) (เฉพาะ: $\varnothing 300$)



(mm)

Nominal diameter v	a	b	c	d	e	f	ℓ
38	44.0	38.0	38.7	47.7		9.0	70
50	56.8	50.8	54.0	64.0	35	10.5	
65	69.5	63.5	68.0	78.0		12.0	76
75	82.5	76.5	78.0	88.0	40	13.5	85
90	95.9	88.9	90.0	100.0		13.6	
100	108.6	101.6	103.5	115.5	45	14.5	95
125	134.0	127.0	127.5	140.5		15.5	
150	160.4	152.4	155.0	166.0	50	19.0	113
200	213.2	203.2	205.0	217.0	55		125
300	314.8	304.8	304.8	318.8	60	21.0	160