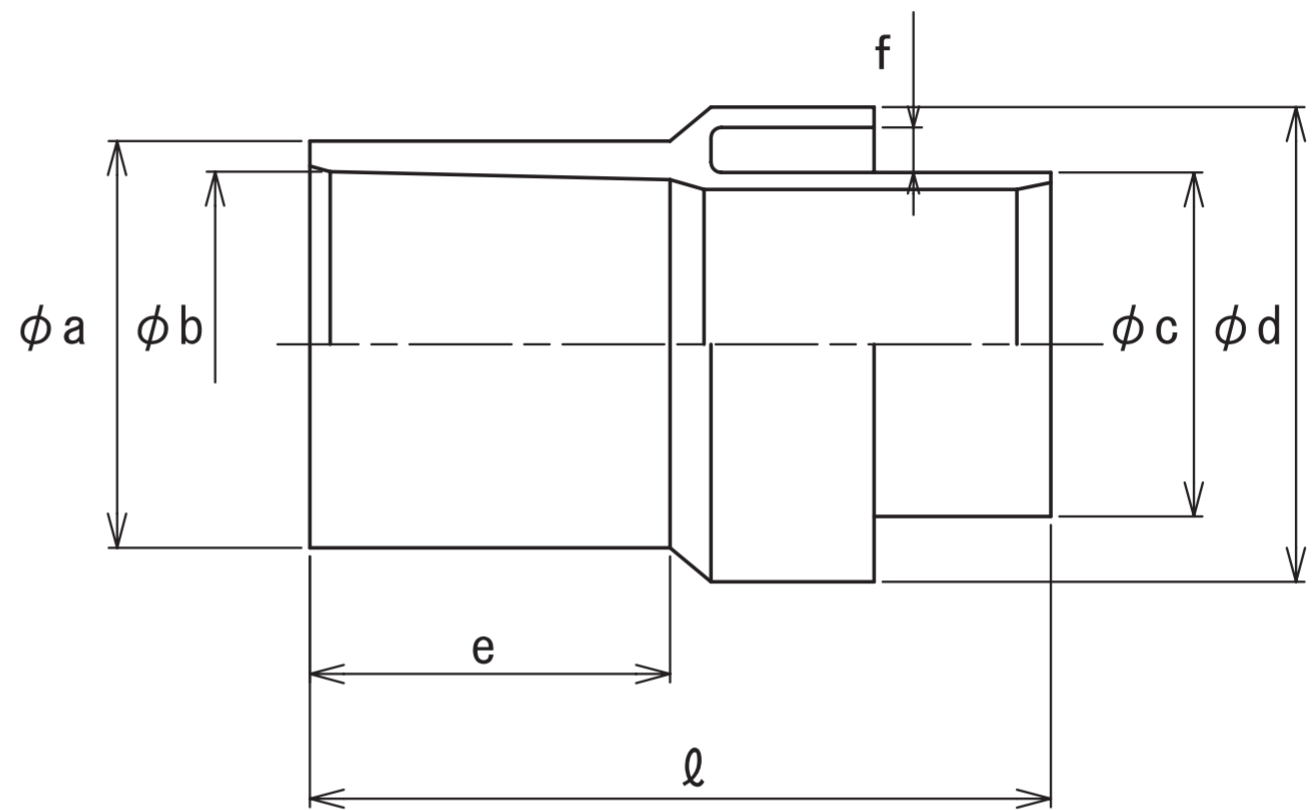


# Cuffs for TOTAKU SD

Material / วัสดุ | soft-PVC / พีวีซีอ่อน



(mm)

Nominal diameter	a	b	c	d	e	f	$\ell$
25	30.0	25.0	25.0	36.5	27	3.8	55
32	37.5	32.0	31.7	45.0	35	4.2	72
38	44.0	38.0	38.0	55.5	39	6.3	84
50	59.8	50.8	50.6	69.8	53	6.6	109
65	73.5	63.5	63.0	83.5	70	7.3	144
75	88.2	76.2	76.3	100.5	81	8.8	168
100	114.6	101.6	101.5	132.5	105	11.8	215