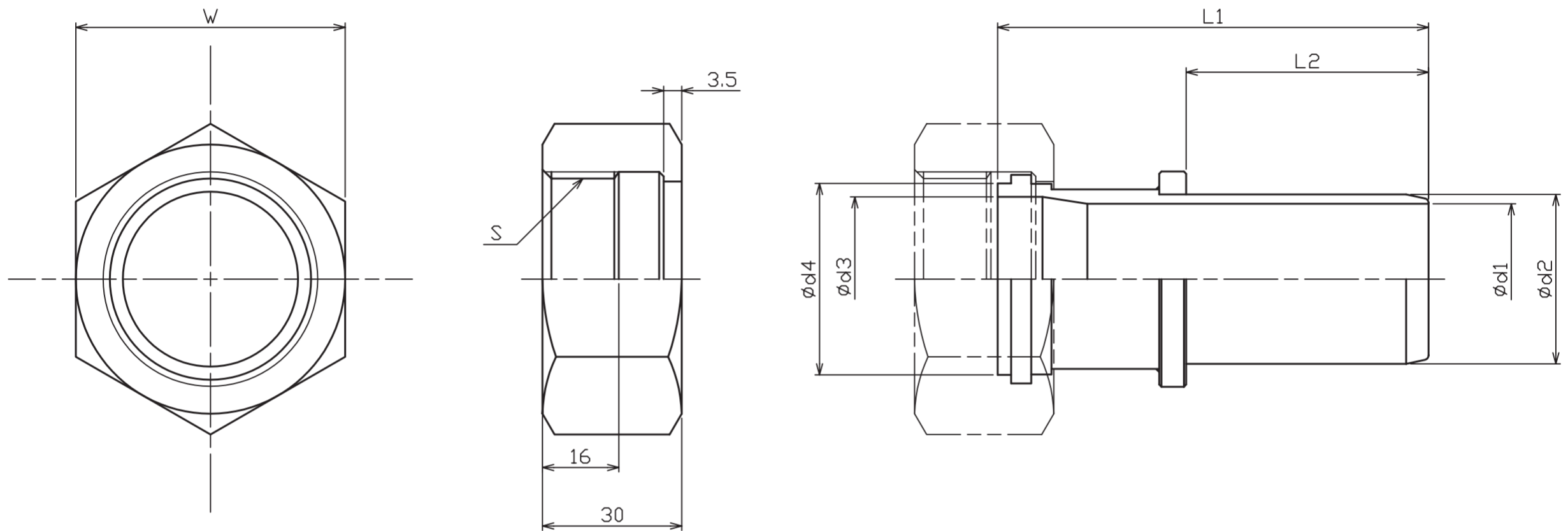


# IDF Hex Nut nipple for SHIME-TOTAKU

Material / วัสดุ | SUS



(mm)

Nominal diameter	S	d1	d2	d3	d4	L1	L2	W
38	51.54-8 Threads/inch	32.6	37.8	35.7	42.7	96.0	55	56.0
50	65.05-8 Threads/inch	43.5	50.5	47.8	56.2	104.0	62	71.0
65	78.56-8 Threads/inch	56.2	63.0	59.5	69.9	116.0	72	85.0
75	92.08-8 Threads/inch	69.1	76.0	72.3	82.6	128.0	83	100.0